



HF- SSB Mobile Antennas

Models FAD-1400 and TAA-1000

Description

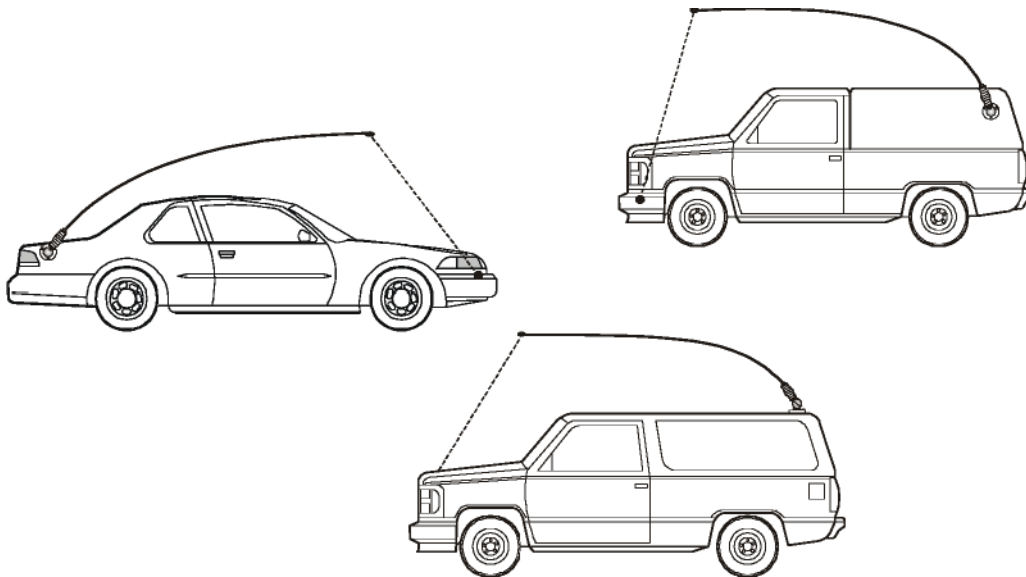
The FAD-1400 antenna consists of three 48.4" (123 cm) identical fiberglass antenna sections with threaded ends, which are assembled to form one whip. To improve radiation efficiency at lower HF frequencies, a fourth 48.4" (123 cm) section can be added. The antenna, which maintains a corrosion-free appearance through long service life, can be mounted on vehicles with single or double-wall construction. A ball type swivel mount is included for mounting the antenna in a convenient location on the vehicle.

The TAA-1000 antenna, which consists of a single 96" (244 cm) stainless steel antenna rod. A ball type swivel mount is included for mounting the antenna for mounting in a convenient location on the vehicle.

Mounting Considerations

To achieve maximum operating range, the antenna should be mounted as high on the vehicle body as possible without striking overhead obstructions in the normal service area of the vehicle.

Select a mounting location on a flat portion of the vehicle body, compatible with the maximum allowable high voltage lead-in cable length. If room is available, a desirable location is the flat area between the rear window and the trunk lid.



GENERAL SAFETY INFORMATION

The United States Department of Labor, through the provisions of the Occupational Safety and Health Act of 1970 (OSHA), has established an electromagnetic safety standard which applies to the use of mobile radios. Proper installation and use of this antenna with MICOM radios will result in exposure below the OSHA Limit. Antennas must be installed at least two feet (0.6 meter) from vehicle operators and passengers unless shielded by a metallic surface.

Installation of Antenna Mounting Base on- Single Wall Construction Vehicles

Step 1 Drill the 1-5/16 inch (34 mm) center hole in the vehicle wall with a hole saw. Use the drilling guide supplied with antenna mount base to drill the remaining holes.

Throughout this procedure, avoid touching the rough edges of the holes!

Step 2 Loosen the three hex screws (1A, 1B, 1C) and the nut (2), and disassemble the antenna mount base. Keep removed washers in a safe place.

Step 3 Align the three holes of the gasket (3) with the corresponding insulator (4) holes, and place the two in position, on the outside on the vehicle wall.

Step 4 Hold the "C" shaped mounting plate (5) in position from the underside of the vehicle wall, with the open end pointing downwards, or towards direction of antenna lead-in cable. Push hex screw (1A) with lock washer (6) and flat washer (7) through hole in insulator, gasket (3), vehicle wall and fasten into threaded hole in mounting plate (5), to temporarily hold the assembly.

Step 5 Repeat similar procedure with other two hex screws (1B, 1C).

Step 6 Fasten all the hex screws (1A, 1B, 1C).

Step 7 Loosen screw (8) on the upper hemisphere (9) using Allen wrench, until you can easily rotate the upper hemisphere.

Step 8 Insert ball assembly screw (10) into insulator hole, and temporarily fasten with nut (2).

Step 9 Rotate the upper hemisphere (9) and if necessary the entire ball assembly, until a vertical antenna mounting spring (11) position is achieved. Tighten screw (8) making sure that entire ball assembly is held firmly together. Tighten hex nut (2).

CAUTION

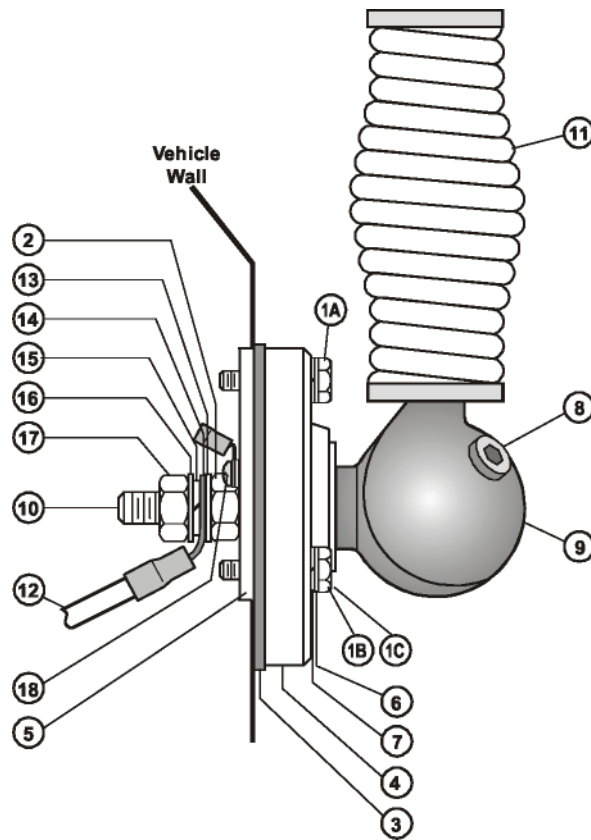
Maximum high voltage antenna lead-in cable length from the antenna tuner to hex nut (2) should not exceed 18 inches (46 cm). A shorter cable length is preferable. After the cable is dressed, it should be no closer than 1 inch (2.5 cm) to any metal surface along its length. Cable contact with the vehicle wall could cause arcing between the wall and the cable.

Step 10 Route the high voltage antenna lead-in cable (12) supplied with the antenna tuner to hex nut (2). One end of the cable should be connected to the tuner (see tuner manufacturer's instructions). Cut the cable to minimum length needed to connect the tuner to antenna. Strip 1/2 inch of insulation from the other end of the cable. Crimp the lug (14) (supplied with the cable) to the other end of the cable (12) and solder the lug to the cable. Slip the supplied heat shrink tubing over the lug and position the tubing just below the loop in the lug. Heat the tubing until it shrinks around the cable and lug.

Step 11 Slide flat washer (13) over screw (10) down to the hex nut (2), then insert the antenna lead-in cable lug (14), lock washer (15) and flat washer (16) and secure the whole assembly using hex nut (17).

Step 12 Position lead-in (12) so it is at a right angle with respect to the vehicle wall, and then completely tighten nut (17). It is preferable to bring in the lead-in from the open side of the "C" shaped mounting plate (5).

Step 13 Crimp optional heavy-gage grounding wire for "C" shaped mounting plate to lug (18) and then cover lug with heat shrink tubing. Connect other end of grounding wire to vehicle chassis, or to one of the antenna tuner grounding screws. Make wire as short as possible, and route it far from the lead-in cable.



Installation of Antenna Mounting Base on Dual Wall Construction Vehicles

Step 1 Drill the 1-5/16 inch (34 mm) center hole through both walls. If possible, the inside wall hole should be enlarged to at least 2 inches (51 mm) to ensure sufficient clearance for the high voltage cable.

Throughout this procedure, avoid touching the rough edges of the holes!

Step 2 Drill the remaining four holes through the outer wall only, using the drilling guide provided with the antenna mount base.

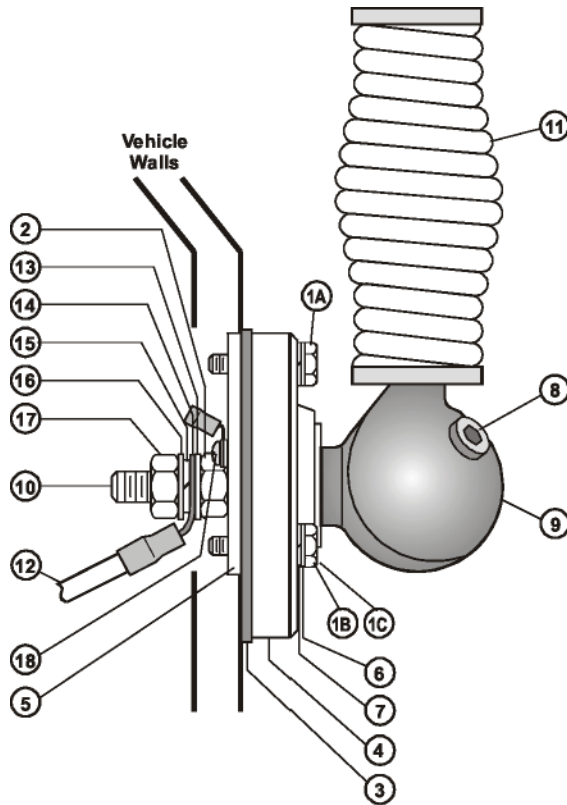
Step 3 Insert a piece of stiff wire through one of the larger threaded holes in the "C" shaped mounting plate (5). This provides a means of holding the plate to prevent it from falling between the two walls when inserted in **Step 4**.

Step 4 Hold the mounting plate parallel to the vehicle outer wall and insert one end of the plate into the mounting hole. Slowly turn the plate until it is completely in the hole and between the two vehicle walls.

Step 5 Align the three holes of the gasket (3) with the corresponding insulator (4) holes, and place the two in position, on the outside on the vehicle wall.

Step 6 With the forefinger, position the "C" shaped plate with the open end pointing downwards or towards direction of antenna lead-in cable. Fasten plate loosely with two of the supplied hex screws (1A, 1B). Remove the "fish" wire and tighten the two screws.

Step 7 Complete the installation by performing **Steps 5** through **13** of the installation procedure on single wall construction vehicle.



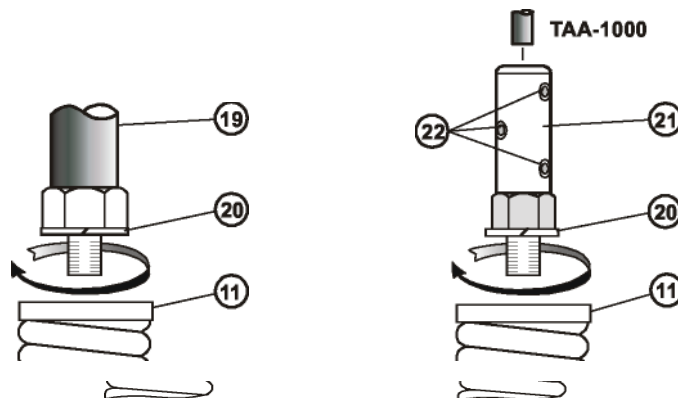
Installing Antenna

FAD-1400 Assemble the antenna whip by screwing together the three (or optionally four) antenna sections.

Place lock washer (20) on the antenna bushing (19), and then screw securely the antenna whip into the antenna receptacle of the mounting spring (11).

TAA-1000 Place lock washer (20) on the antenna adapter (21), and then screw securely antenna adapter into the antenna receptacle of the mounting spring (11). Insert the TAA-1000 end into the antenna adapter (21) and tighten the 3 set screws (22) with Allen wrench.

Vertical Adjustment If necessary, loosen Allen head screw (8) with Allen wrench, and readjust the upper hemisphere (9) for vertical antenna position. Tighten the Allen head screw (8)



Drill Guide for FAD -1400 and TAA -1000 Antenna Mounting Base

