

Installation Instructions for 2-wire Remote Control

GENERAL INFORMATION:

This supplement has been written to facilitate the installation and adjustment of equipment used to remotely control a Micom-2 series radio via leased 2-wire telephone circuit. It should be noted that some pieces of equipment must be adjusted for a different baud rate than other pieces. In most instances, the modem baud rate will be set at the factory to the correct rate.

The following items are the minimum requirements for voice and control operation:

- 1 each Micom Radio
- 2 each FDN6131A modems
- 1 each FDN6142A Tone Remote Desk Set
- 1 each FDN6130A Tone Remote Adaptor
- 1 each 2072-09187-00 Cable
- 1 each 2072-09189-00 Cable
- 1 each 2072-09188-00 Cable
- Computer Interface program (option S947)

- PC meeting minimum requirements for windows 95, 98, NT, 2000 or XP with
- 1 available Communication Serial port

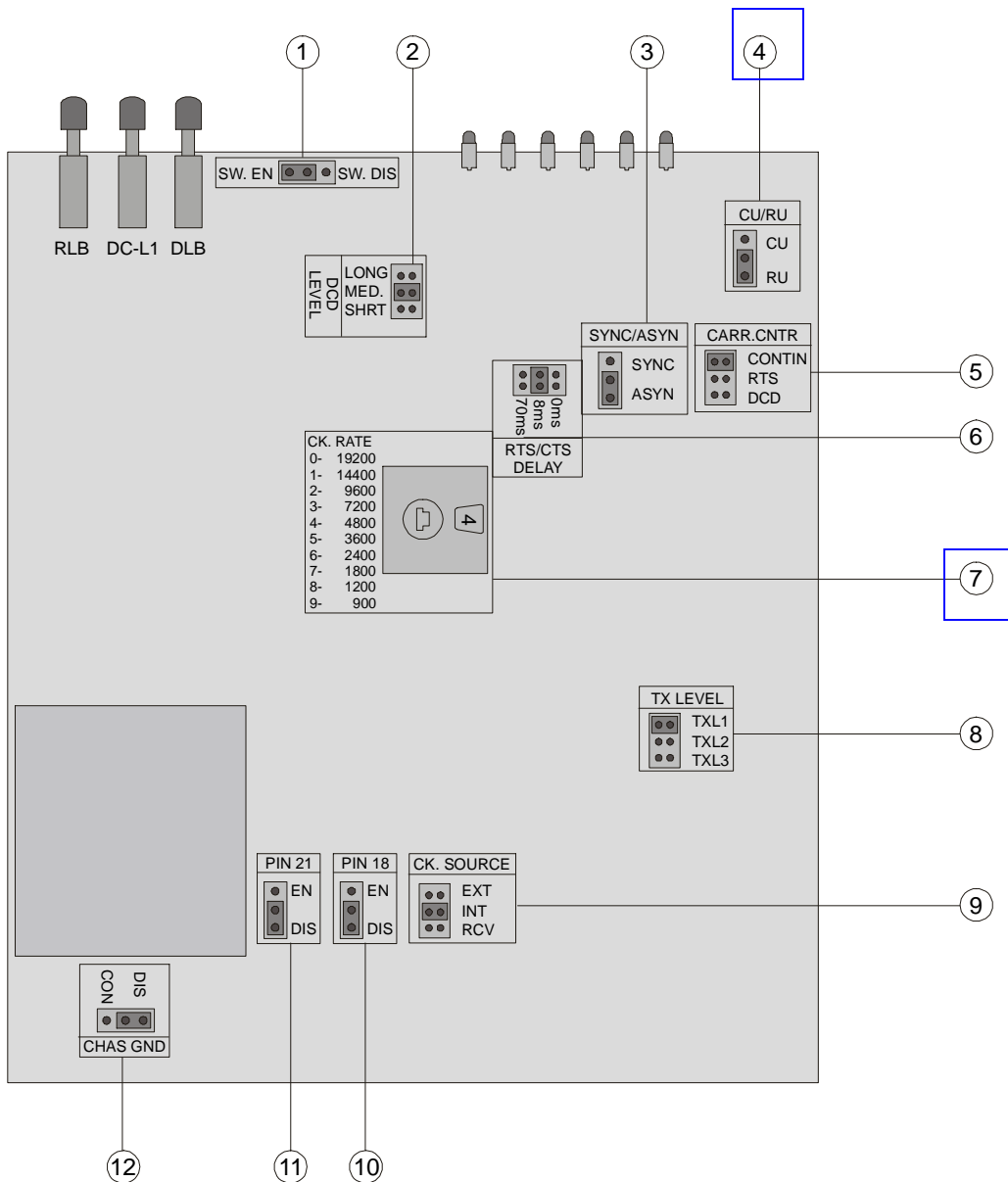


Figure 1

1. Installation instructions for FDN6131A (2-wire line modem)

- a. Remove the four screws located on the back of each modem
- b. Slide the modem card out the back of the case
- c. Locate the Baud rate selection switch; number 7 in Figure 1, and select 9600, or (2) on the wheel.
- d. Locate the CU/RU switch; number 4 in Figure 1, and ensure that the Master (local/PC side) modem is set to CU and the Slave (remote/radio side) modem is set to RU.
- e. Replace the Modem card and replace the screws.

2. Set the Baud rate on the Micom radio to 4800 as follows:
 - a. Power on the radio
 - b. Press MENU>MORE>PROG>RAD>PRMT>BAUD>4.8>ENTER
 - c. Press MENU>CHAN>ENTER
 - d. Power off the radio

3. Set the Baud rate on the Computer interface program to 4800 as follows:
 - a. Start the Computer Interface program (Refer to User's Guide 68P02950C35-B for operation of the Computer Interface Software). If using the MRC software, refer to the MrcHelp.pdf file.
 - b. Click on Preferences>Comm. Ports; Select Baud Rate 4800.
 - c. Select the com port that you will be connecting your modem to. Click OK
 - d. Close the program

4. Setting up the Tone Remote Adapter and Tone Remote Desk Set.
 - a. The settings on the Tone Remote Adapter should be set as follows. Switch 1 down, all others up.
 - b. There are no user adjustments for the Tone Remote Desk Set.

5. Connect all cables (They should be labeled. Refer to Figure 2)

Two-wire Remote control configuration

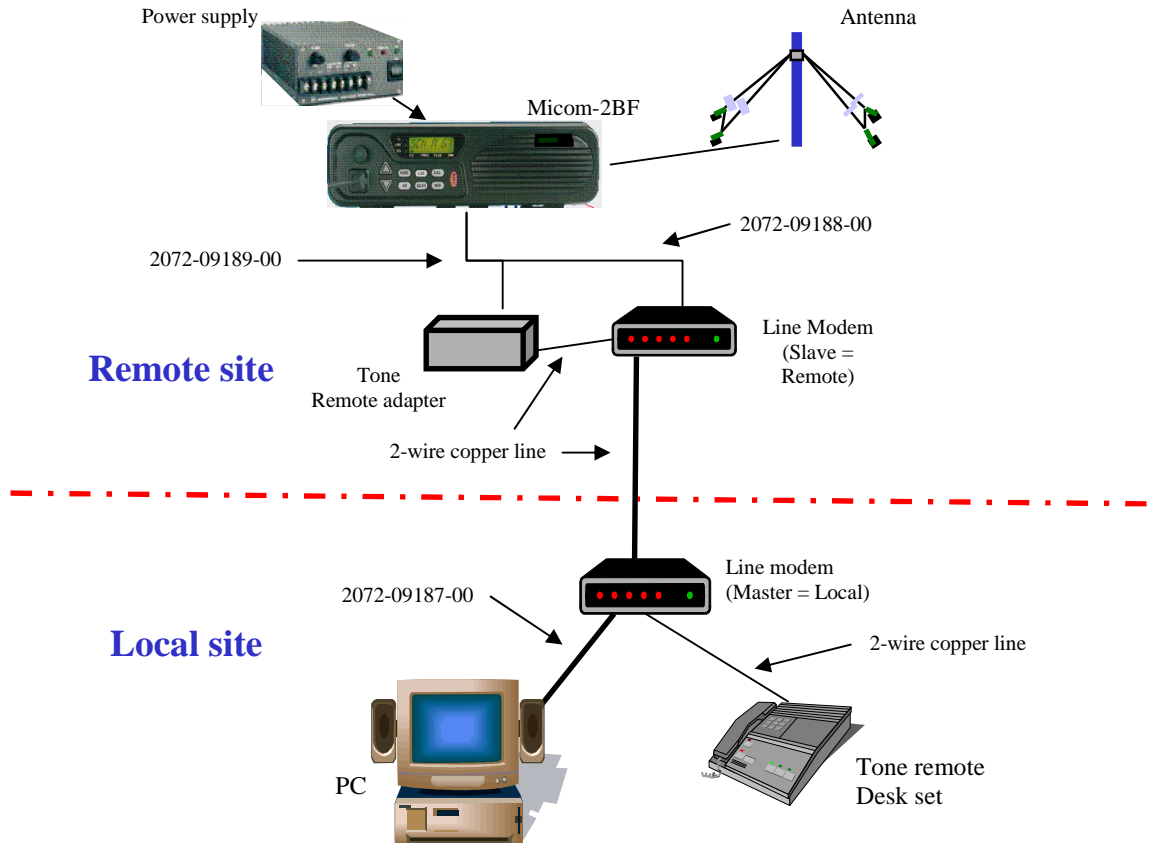


Figure 2

6. You should now be able to control the radio via the remote software. Refer to User's Guide 68P02950C35-B for operation of the Computer Interface Software. If you are using the MRC program, refer to the MrcHelp.pdf file.